

## K-LA28-DSP

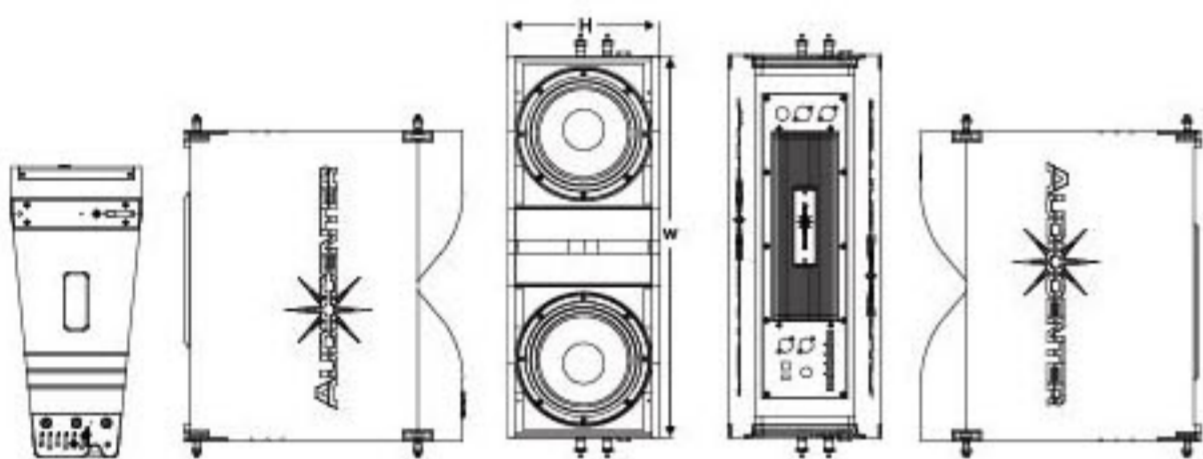
K-LA28-DSP, is an active DSP-controlled line array speaker, designed for high requirements of touring performance, rental and fixed installation.

The HF driver of K-LA28-DSP is customized BEYMA driver with composite membrane ( 1.75" voice coil), and the LF/MF driver is customized BEYMA 8" driver ( 2" voice coil).

User Selectable 3 presets (Linear, HFX, W/SUB) in K-LA28-DSP are available for the users to choose according to different environments and music styles.

K-LA28-DSP system can be used as main PA sound reinforcement with 2 cabinets at least and 16 cabinets maximum per array.

K-LA28-DSP can be suspended vertically. The integrated hardware with innovative fast lock mechanics built-in to the cabinet with 9.5mm high intensity pins make installation easy and convenient. The system can be combined in modularization according to the coverage angle of place, which can meet the requirements of different applications. For those places where the system can not be flied, there are customized frames suitable for both ground stacking (maximum 4 cabinets) or stacking on the stand (maximum 2 cabinets) to meet different requirements of installation and reinforcement environment.



Dimension(W × H × D): 590 × 236 × 500mm

### FEATURES

- Customized driver from BEYMA
- PTV phase plug design for an extremely precise dispersion, HF horn design ensures even coverage and optimized for smooth frequency response
- Hi end digital controller on board (DSP) with 96KHz signal sampling frequency, 56bit precision
- Standby mode automatically if without signal input for 15mins
- Class D amplifier from PASCAL
- Advanced cooling system in the driver
- Optimized and compact elegant premium design cabinet
- Rock solid humidity free birch plywood CNC made cabinet
- Touring grade emery spraying
- Comprehensive accessories suitable for different applications



### SYSTEM CONFIGURATION

- K-LA-DSP Series subwoofer (The K-LA28-DSP can be combined in modularization with K-LA118-DSP for ground stacking or hanging), SW Series subwoofer



### SPECIFICATION

<b>Type</b>	Active DSP-controlled full range loudspeaker
<b>Application</b>	2 cabinets minimum, 16 cabinets maximum per array
<b>Frequency Response</b> (-6dB anechoic chamber)	60Hz-20KHz
<b>Maximum Calculated SPL/1M</b>	128dB
<b>LF/MF Driver</b>	Customized BEYMA ferrite driver, 2" voice coil
<b>HF Driver</b>	Customized BEYMA ferrite driver, 1" exit, 1.75" voice coil
<b>Horizontal Coverage Angle</b> (Symmetrical)	100°
<b>Vertical Coverage Angle</b> (Symmetrical)	Depend on the amount of the speaker and curvature of the line array
<b>AMPLIFIER</b>	
<b>Amplifier Circuitry</b>	Class D
<b>Power</b> (RMS standards)	1600W
<b>Frequency Response</b> (1W 8Ω 2ch)	20Hz-20KHz( ± 0.5dB)
<b>Intermodulation Distortion</b>	< 0.05%
<b>Total Harmonic Distortion</b>	< 0.05%
<b>Protection</b>	DC protection, short circuit protection, overheat protection, input overload protection, output overload protection, soft startup protection, overvoltage protection, undervoltage protection
<b>Cooling System</b>	Cooling with fans
<b>DSP</b>	
<b>Processor</b>	96KHz signal sampling frequency, 56bit precision
<b>Presets</b>	Linear, HFX, W/SUB
<b>Crossover</b>	Controlled by DSP
<b>Output/Input</b>	
<b>Signal Input</b>	1 × NEUTRIK® female XLR
<b>Signal Output</b>	1 × NEUTRIK® male XLR
<b>Power Input</b>	Powercon NAC3MPA
<b>Power Output</b>	NAC3MPB
<b>Working Voltage</b>	85V-265V 50Hz (60Hz)
<b>Cabinet</b>	
<b>Angle Adjustment</b>	0° , 2° , 4° , 6° , 8° , 10°
<b>Cabinet Material</b>	Russian birch plywood CNC made
<b>Cabinet Color</b>	Black and white available, can be customized according to the RAL code
<b>Dimension</b> (W × H × D)	590 × 236 × 500mm
<b>Net Weight</b>	25.0Kg

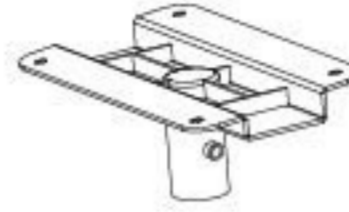
## ACCESSORIES



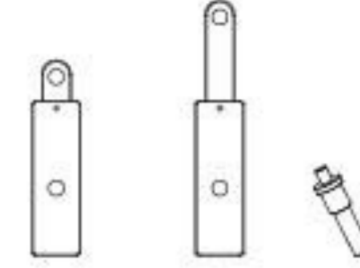
**M20 D shackle**  
Bearing 3T



**2M / 3M flying belt**  
Made of synthetic fibre, bearing 2T/4T



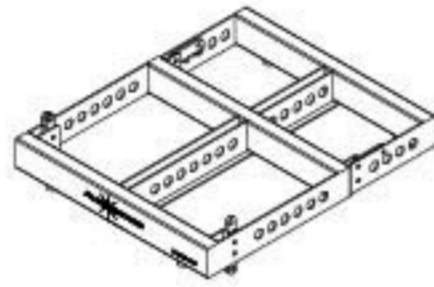
**Bracket**



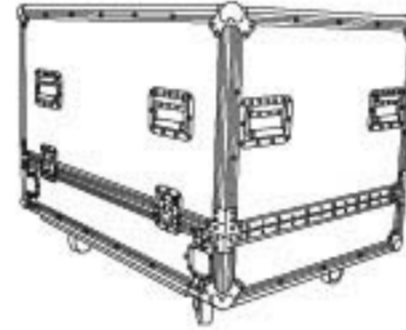
**Locking accessories kit**



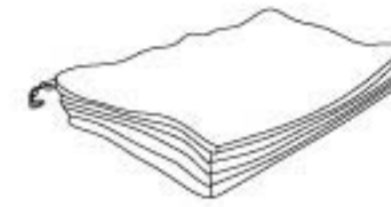
**Three-feet stand**  
Bearing 80Kg



**Frame for flying and ground stacking**



**Flightcase(K-LA28-DSP)**  
For 2/4 cabinets, with 100mm wheels



**Rain bag(customized)**



**Wheel**

## INSTALLATIONS

