

Audiocenter

Dynamic Audio Solutions

BrainCore™
Technology Inside

www.audiocenter.net

Together we are stronger



CONTACT WITH US!

Add: Jintian Industrial Park, Huadong Town, Huadu District, Guangzhou, China

Tel: 0086-20-86767882 / 0086-20-86767883

Fax: 0086-20-8676 7123

Email: sales@ac-pro.net

Web: www.audiocenter.net

Twitter: www.twitter.com/AudiocenterPro

Facebook: www.facebook.com/Audiocenter.Globe

E-book: www.yunzhan365.com/bookcase/whqq/

L Series

Compact Portable Active Column System



Plug and Play



Portable



Quick installation



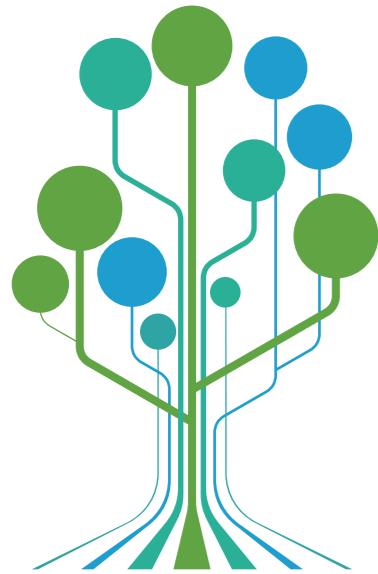
Even sound field



Multiple inputs



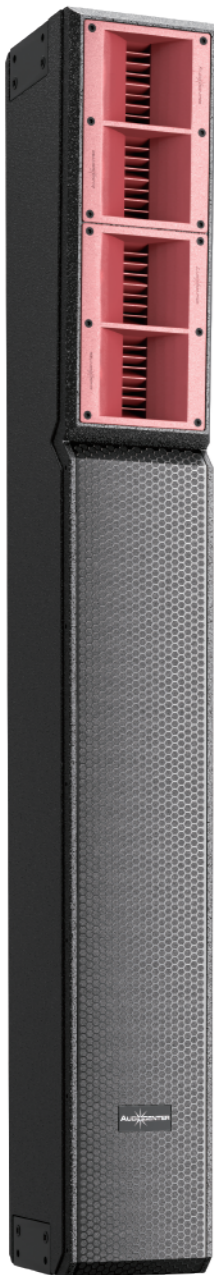
Built-in amplifier



BrainCore™

BrainCore™ is an innovation core application technology researched and developed by AUDIOCENTER, devoted to Audiocenter active DSP-controlled loudspeakers with supreme performance and high reliability.

With its advanced technology and scientific methodology, BrainCore™ analyses and processes the input signal, DSP module, Class D amplifier and loudspeaker optimally, achieving smooth transitions between the LF and HF, excellent frequency response and audio reproduction even at high levels of SPL.



- 🔴 **Innovative ETE™ Waveguide Technology**
The innovative ETE™ waveguide technology realizes the perfect joint of frequency response, which provides the accurate horizontal coverage and ensures the well-balanced, clean and clear sound for the system.
- 🔴 **Innovative Phycal™ Technology**
The innovative Phycal™ technology improves the coverage of vertical acoustic beam.
- 🔴 **Customized ProDriver**
AUDIOCENTER customized driver to ensure high-quality audio output and dynamic.

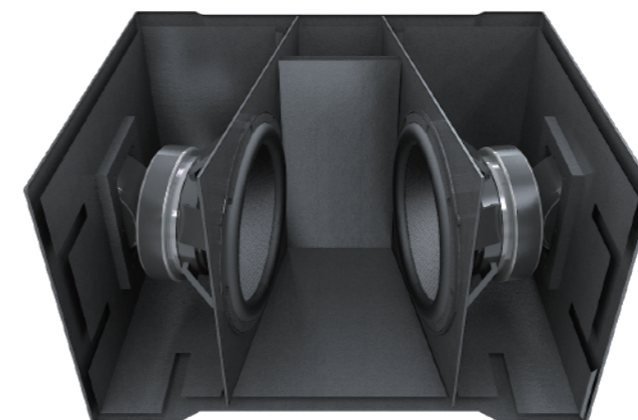


- 🔴 **Double hole base design**
L Series cabinet base is designed with a double hole base to accommodate 0° and 10° cabinet angles adjustment.
- 🔴 **Elegant Outlook**
Streamlined cabinet design, the lines are sketchy and tough, and can be perfectly integrated into various styles of applications and reduce visual interference.



- 🔴 **Class D Amplifier**
Adopting DSP switching power supply multi-channel digital amplifier developed in orientation, the system can operate stably and efficiently, ensuring high quality sound performance.
- 🔴 **Advanced Cooling System**
Moulded large heatsink improves the cooling efficiency, and ensure higher reliability of the system.

- 🔴 **Built-in Bluetooth**
Built-in wireless Bluetooth chip supports a variety of Bluetooth device access, and is stable and reliable transmission, true sound reproduction, clean and durable.
- 🔴 **Plug and play, to set up**
The compact and integrated installation design can be selected according to the actual application. It is easy to install that does not require bulky installation devices. The integrated backplane is easy to operate and make sure each speaker can be easily linked as a whole system.



- 🔴 **High Quality Material Seltion, Unique Physical Acoustics Design, Perfect Sound Quality**
CNC made cabinet of excellent wood, customized diver, physical acoustics design and innovative designed, compact and multi-purpose cabinet, provide the clean and clear sound.
- 🔴 **Innovative FTF™ Technology in LF Driver**
The innovative FTF™ technology in LF driver makes the cabinet get the three-order band-pass filter. By coupling the system continually and overlaying the multiple resonances, the LF efficiency is improved significantly.

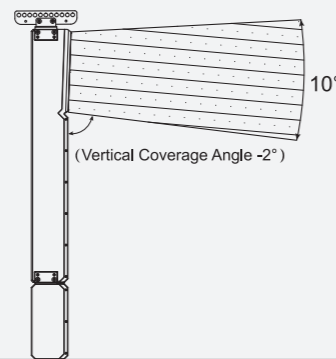


L65+L65A Column System

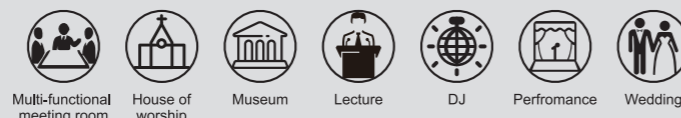
L65+L65A is a compact multi-purpose active DSP column system, consisting of a passive full-range loudspeaker L65 and a multi-channel digital power amplifier L65A with DSP switching power supply.

L65 passive full-range speaker column consists of 6pcs 5" customized AUDIOCENTER ferrite drivers and 4pcs 1" customized BEYMA ferrite drivers. The driver design is arranged by sophisticated measurement and physical calibration technology Phycal™ to improve vertical acoustic beam coverage. The ETE™ waveguide system developed by Audiocenter forms cylindrical wave, then couples continually, working together with customized horn design to realize the perfect joint of frequency response, which provides the accurate horizontal coverage and ensures the well-balanced, clean and clear sound. L65 can meet the reinforcement application in different venues and complex space.

L65A active DSP switching power supply with multi-channel digital power amplifier is built into the bottom of the column system and can be combined according to the requirements of the actual application scenario.

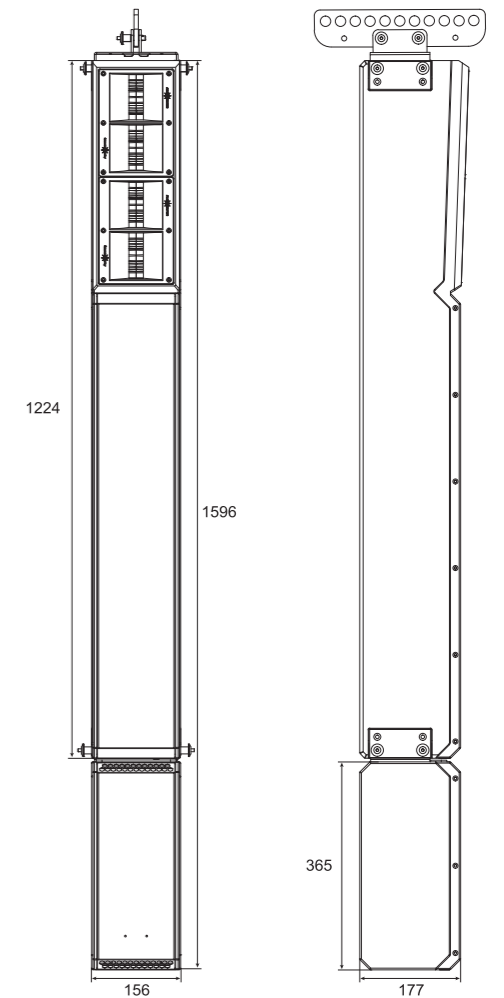


SUGGESTED APPLICATION

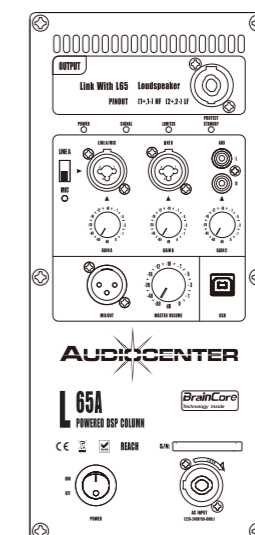
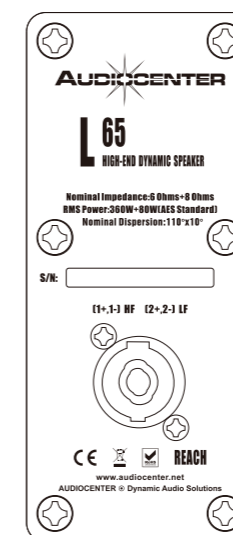


SPECIFICATION

Type	Active DSP-controlled Column Speaker System
Frequency Response (-6dB anechoic chamber)	75Hz-20KHz
Maximum Calculated SPL/1M	134dB
LF Driver	Customized AUDIOCENTER ferrite driver, 6pcs 5" drivers
HF Driver	Customized BEYMA ferrite driver, 4pcs 1" drivers
Horizontal Coverage Angle(Symmetrical)	110°
Vertical Coverage Angle(Symmetrical)	10°
DSP	
Processor	96KHz signal sampling frequency, 24bit precision
Crossover	Controlled by DSP
Class D amplifier	
Power	1600W
Frequency Response	20Hz-20KHz(±0.5dB)
Intermodulation Distortion	< 0.05%
Total Harmonic Distortion	< 0.05%
Protection	DC protection, short circuit protection, overheat protection, input overload protection, output overload protection, soft startup protection, overvoltage protection, undervoltage protection
Cooling System	Fans + air convection
Output / Input	
Signal Input	2×NEUTRIK® female XLR, Mono jack 6.35, 1×RCA
Signal Output	1×NEUTRIK® male XLR
Amplifier Output Link L65	1×NEUTRIK® NL4MP
Column Input Link L65-A	1×NEUTRIK® NL4MP
Power Input	Power connector
Working Voltage	100-130V/60Hz or 220-240V/50Hz
Cabinet	
Cabinet Material	CNC made of excellent wood
Base bracket hole	Φ35mm (0/10° adjustable)
Cabinet Color	Black and white available, can be customized according to the RAL code
Dimension(W×H×D)	
L65	156×1224×177mm
L65A	156×365×177mm
Height after installation	1596mm
Net Weight	
L65	18Kg
L65A	5Kg



BACK PANEL



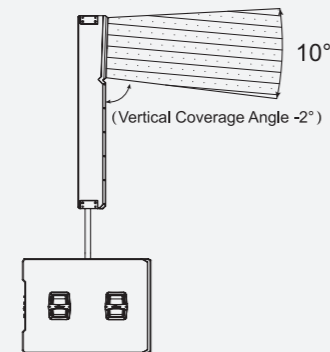


L65+L65S Column System

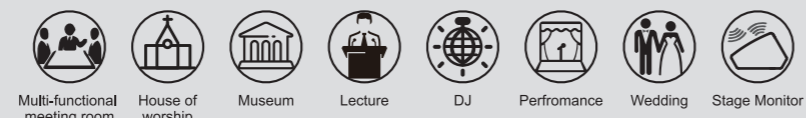
L65+L65S is a multi-purpose active DSP column system consisting of a passive full-frequency loudspeaker column L65 and an active DSP compact woofer L65S.

L65 passive full-range speaker column consists of 6pcs 5" customized AUDIOCENTER ferrite drivers and 4pcs 1" customized BEYMA ferrite drivers. The driver design is arranged by sophisticated measurement and physical calibration technology Phycal™ to improve vertical acoustic beam coverage. The ETE™ waveguide system developed by Audiocenter forms cylindrical wave, then couples continually, working together with customized horn design to realize the perfect joint of frequency response, which provides the accurate horizontal coverage and ensures the well-balanced, clean and clear sound. L65 can meet the reinforcement application in different venues and complex space.

L65S active DSP compact woofer with one 18" customized AUDIOCENTER ferrite drivers and Class D amplifier module, the system can operate with high efficiency and have a built-in Bluetooth chip that supports multiple signal input modes.

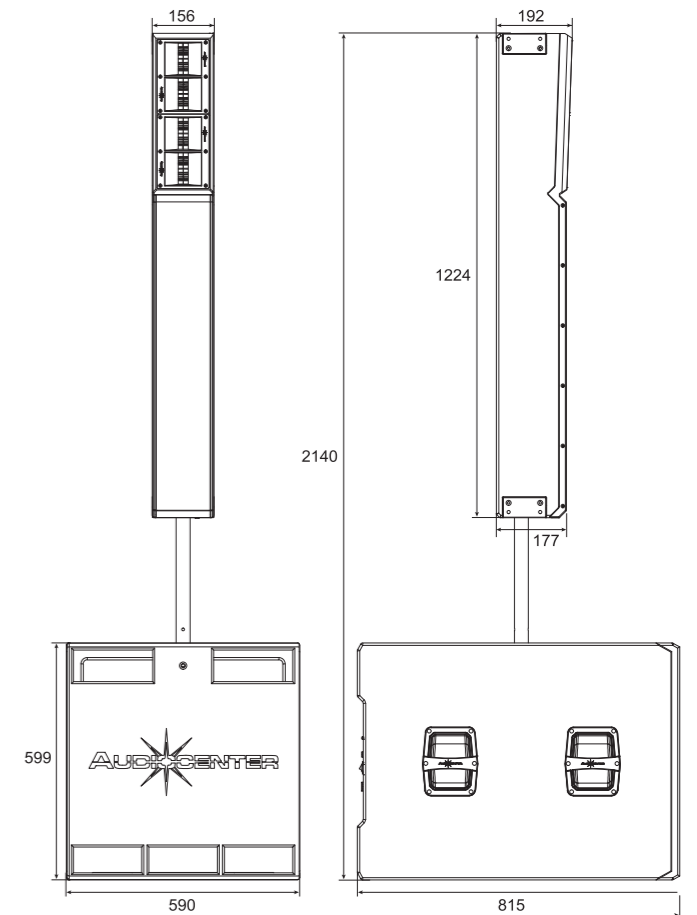


SUGGESTED APPLICATION

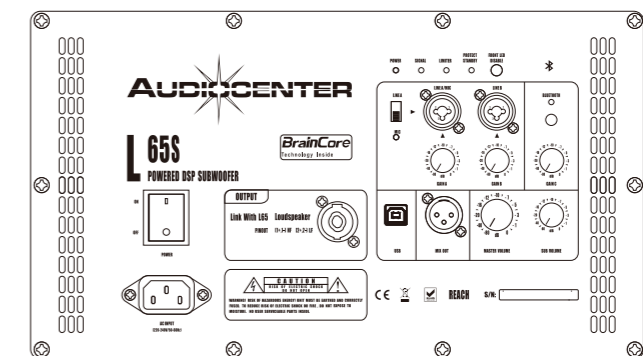
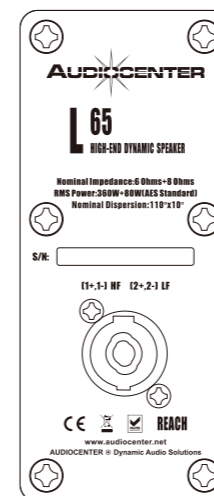


SPECIFICATION

Type	Active DSP-controlled Column Speaker System
Frequency Response (-6dB anechoic chamber)	40Hz-20KHz
Maximum Calculated SPL/1M	134dB
Subwoofer	Customized AUDIOCENTER ferrite driver, 1pcs 18" driver
LF Driver	Customized AUDIOCENTER ferrite driver, 6pcs 5" drivers
HF Driver	Customized BEYMA ferrite driver, 4pcs 1" drivers
Horizontal Coverage Angle (Symmetrical)	110°
Vertical Coverage Angle (Symmetrical)	10°
DSP	
Processor	96KHz signal sampling frequency, 24bit precision
Crossover	Controlled by DSP
Class D amplifier	
Power	4000W
Frequency Response	20Hz-20KHz(±0.5dB)
Intermodulation Distortion	< 0.05%
Total Harmonic Distortion	< 0.05%
Protection	DC protection, short circuit protection, overheat protection, input overload protection, output overload protection, soft startup protection, overvoltage protection, undervoltage protection Fans + air convection
Cooling System	
Output / Input	
Signal Input	2×NEUTRIK® female XLR, Mono jack 6.35, 1×Bluetooth
Signal Output	1×NEUTRIK® male XLR
Amplifier Output Link L65	1×NEUTRIK® NL4MP
Column Input Link L65S	1×NEUTRIK® NL4MP
Power Input	3 pin plug
Working Voltage	100-130V/60Hz or 220-240V/50Hz
Cabinet	
Cabinet Material	CNC made of excellent wood
L65 base bracket hole	Φ35mm (0/10° adjustable)
L65S base bracket hole	M20 base Φ35mm
Cabinet Color	Black and white available, can be customized according to the RAL code
Dimension(W×H×D)	
L65	156×1224×177mm
L65S	590×599×815mm
Height after installation	2140mm
Net Weight	
L65	18Kg
L65S	54Kg



BACK PANEL





L83+L83S Column System

L83+L83S is compact multi-purpose active DSP column system consisting of a passive full-range column loudspeaker L83 and an active DSP woofer L83S.

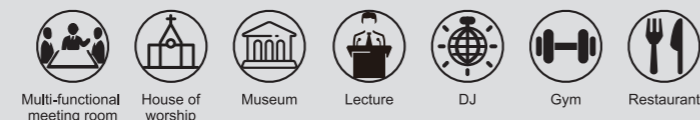
L83 passive full-range column speaker with 8pcs 3" neodymium magnet full-range units, and L83 takes the modular design concept to its limit. The drivers in L83 are arranged by accurate test & calculation and Phycal™ technology to improve the coverage of vertical beam. With elaborate acoustic design, same drives in the cabinet works as one integrative full range speaker system, which can achieve perfect joint of frequency response and excellent sound performance. L83S can meet the applications in different venues and complex space.

L83S is an active DSP- controlled compact subwoofer with 2pcs 12" customized AUDIOCENTER ferrite drivers and Class D amplification module, the system operates efficiently and has a built-in Bluetooth chip that supports multiple signal input modes.

L83S active DSP compact subwoofer has been carefully tested. With elaborate acoustic design and innovative FTF™ driver design, the cabinet is with a third-order band-pass filter function. By continuously coupling and superimposing compound resonances, the system improves the low frequency efficiency to achieve purer sound expression. It is a speaker product with high technology content and advanced design.

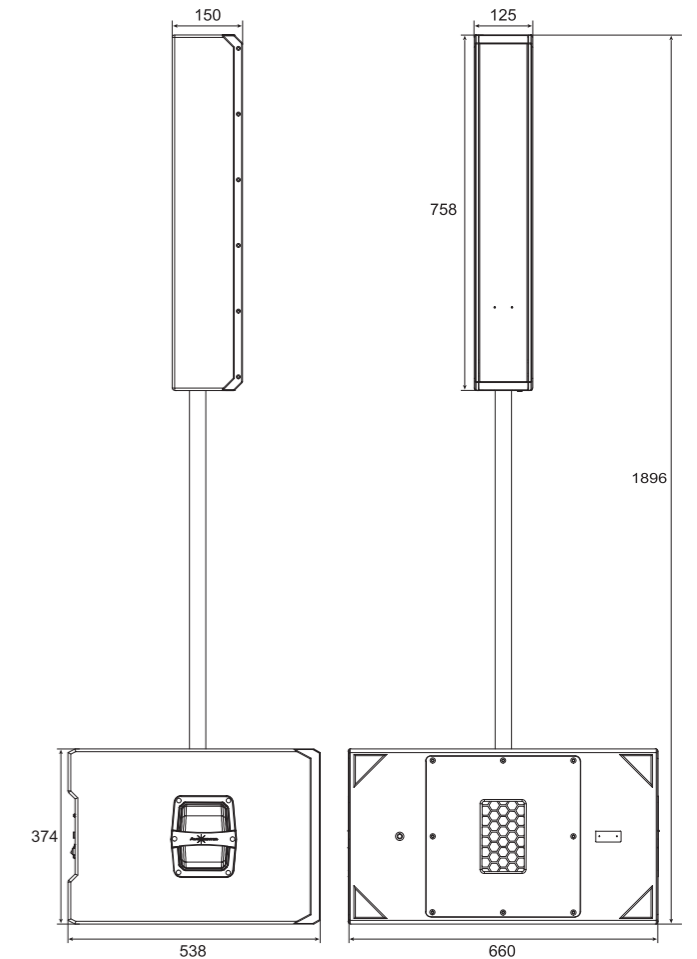


SUGGESTED APPLICATION

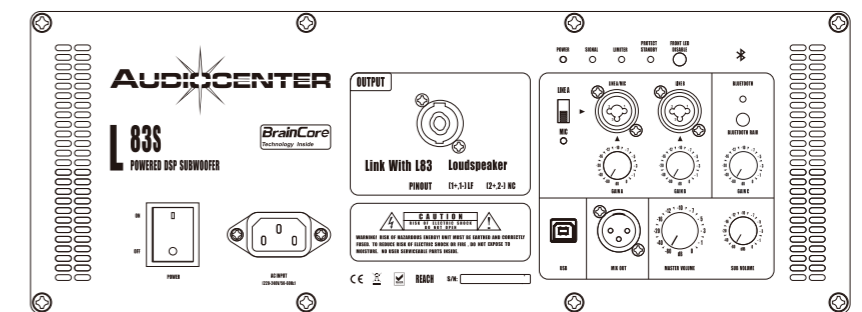
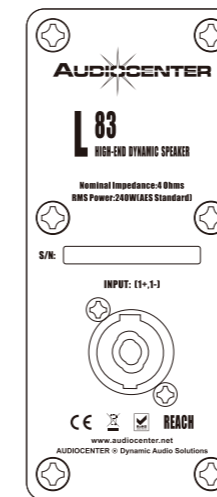


SPECIFICATION

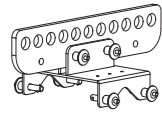
Type	Active DSP-controlled Column Speaker System
Frequency Response (-6dB anechoic chamber)	42Hz-20KHz
Maximum Calculated SPL/1M	131dB
Subwoofer	Customized AUDIOCENTER ferrite driver, 2pcs 12" driver
Mid-high Driver	Customized AUDIOCENTER ferrite driver, 8pcs 3" drivers
Horizontal Coverage Angle (Symmetrical)	100°
Vertical Coverage Angle (Symmetrical)	20°
DSP	
Processor	96KHz signal sampling frequency, 24bit precision
Crossover	Controlled by DSP
Class D amplifier	
Power	2500W
Frequency Response	20Hz-20KHz(±0.5dB)
Intermodulation Distortion	< 0.05%
Total Harmonic Distortion	< 0.05%
Protection	DC protection, short circuit protection, overheat protection, input overload protection, output overload protection, soft startup protection, overvoltage protection, undervoltage protection
Cooling System	Fans + air convection
Output / Input	
Signal Input	2×NEUTRIK® female XLR, Mono jack 6.35, 1×Bluetooth
Signal Output	1×NEUTRIK® male XLR
Amplifier Output Link L83	1×NEUTRIK® NL4MP
Column Input Link L83S	1×NEUTRIK® NL4MP
Power Input	3 pin plug
Working Voltage	100-130V/60Hz or 220-240V/50Hz
Cabinet	
Cabinet Material	CNC made of excellent wood
L83 base bracket hole	Φ35mm (0/10° adjustable)
L83S base bracket hole	M20 base Φ35mm
Cabinet Color	Black and white available, can be customized according to the RAL code
Dimension(W×H×D)	
L83	125×758×150mm
L83S	660×374×538mm
Height after installation	1896mm
Net Weight	
L83	5Kg
L83S	32Kg



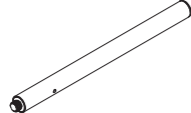
BACK PANEL



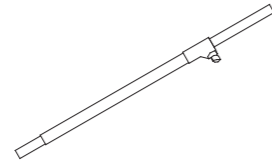
ACCESSORIES



L65+L65A
Flying accessory



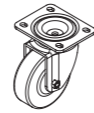
L65+L65S
Coupling bar



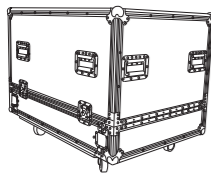
L83+L83S
Coupling bar



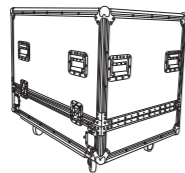
Hand bag(customized)
For 1 cabinets,L65 / L83



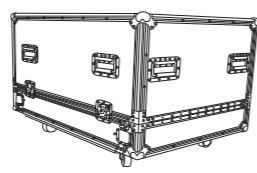
Wheel package(For
1 pcs, with Protection bag)
L65S/L83S



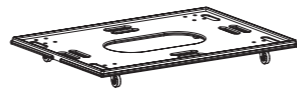
L65 Flightcase
For 2 cabinets,
with 100mm wheels



L65S Flightcase
For 1 cabinets,
with 100mm wheels

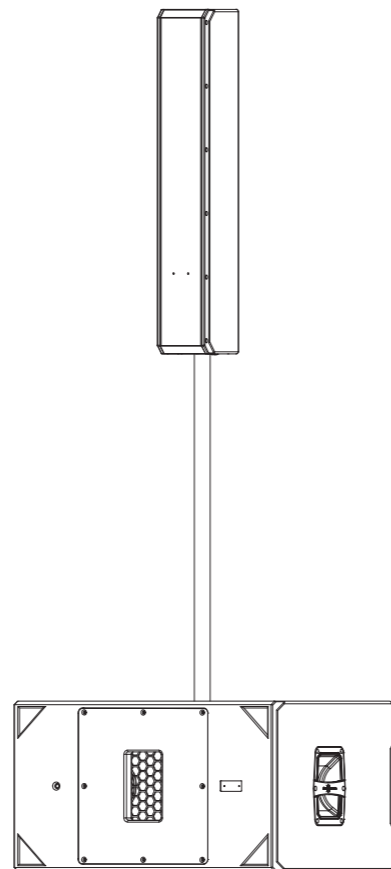
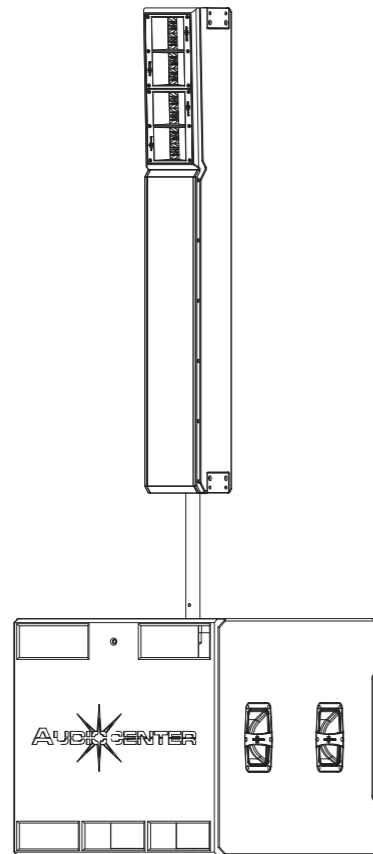


L83+L83S Flightcase
For 1+1 package,
with 100mm wheels



Dolly(For 2 pcs,
with Protection bag)
L65S / L83S

INSTALLATIONS



L Series Active DSP-controlled Column Speaker System Specifications

SPECIFICATIONS	L65+L65A Column System	L65+L65S Column System	L83+L83S Column System	
Type	Active DSP-controlled Column Speaker System			
Frequency Response (-6dB anechoic chamber)	75Hz-20KHz	40Hz-20KHz	42Hz-20KHz	
Horizontal Coverage Angle (Symmetrical)	110°	110°	100°	
Vertical Coverage Angle (Symmetrical)	10°	10°	20°	
Maximum Calculated SPL/1M	Continuous	128dB	125dB	
	Program	131dB	128dB	
	Peak	134dB	131dB	
Drivers	HF	Customized BEYMA ferrite driver, 4pcs 1" drivers		
	Mid-high Driver	/	/	Customized AUDIOCENTER ferrite driver, 8pcs 3" drivers
	LF	Customized AUDIOCENTER ferrite driver, 6pcs 5" drivers		
	Subwoofer	/	Customized AUDIOCENTER ferrite driver, 1pcs 18" drivers	Customized AUDIOCENTER ferrite driver, 2pcs 12" drivers
Signal Input Connector	2×NEUTRIK® female XLR, Mono jack 6.35, 1×RCA		2×NEUTRIK® female XLR, Mono jack 6.35, 1×bluetooth	
Signal Output Connector	1×NEUTRIK® male XLR			
Power Input/Output Connector	Power connector		3 pin plug	
Working Voltage	100V-130V/60Hz or 220V-240V/50Hz			

DSP

Processor	96KHz signal sampling frequency, 24bit precision
Crossover and Slope	Controlled by DSP

AMPLIFIER

Amplifier	Class D		
Peak Power	1600W	4000W	2500W
Frequency Response (1W 8Ω 1ch)	20Hz-20KHz(±0.5dB)		
Intermodulation Distortion (20Hz-20KHz, half power)	<0.05%		
Total Harmonic Distortion (20Hz-20KHz, Rated power 8Ω)	<0.05%		
Cooling	Fans + air convection		
Protection	DC protection / Short circuit protection / Overheat protection / Output overload protection / Soft startup protection / Overvoltage protection / Undervoltage protection		

CABINET

Cabinet	CNC made of excellent wood			
Pole Mount	/	Column uses Φ 35 mm (0/10 ° adjustable), subwoofer uses M20 molding base Φ 35 mm		
Optional Accessories	Flying accessory, Coupling bar, Hand bag, Flightcase, Wheel package, Dolly			
Dimensions (W×H×D)	Column	156×1224×177mm	156×1224×177mm	125×758×150mm
	Class D	156×365×177mm	/	/
	Subwoofer	/	590×599×815mm	660×374×538mm
	Height after installation	1596mm	2140mm	1896mm
Net Weight	L65 18Kg / L65A 5Kg	L65 18Kg / L65S 54Kg	L83 5Kg / L83S 32Kg	
Technical Support and After-sales Service	Global application support team			

■ All content subject to change without notice. All rights reserved. AC - L - 201808